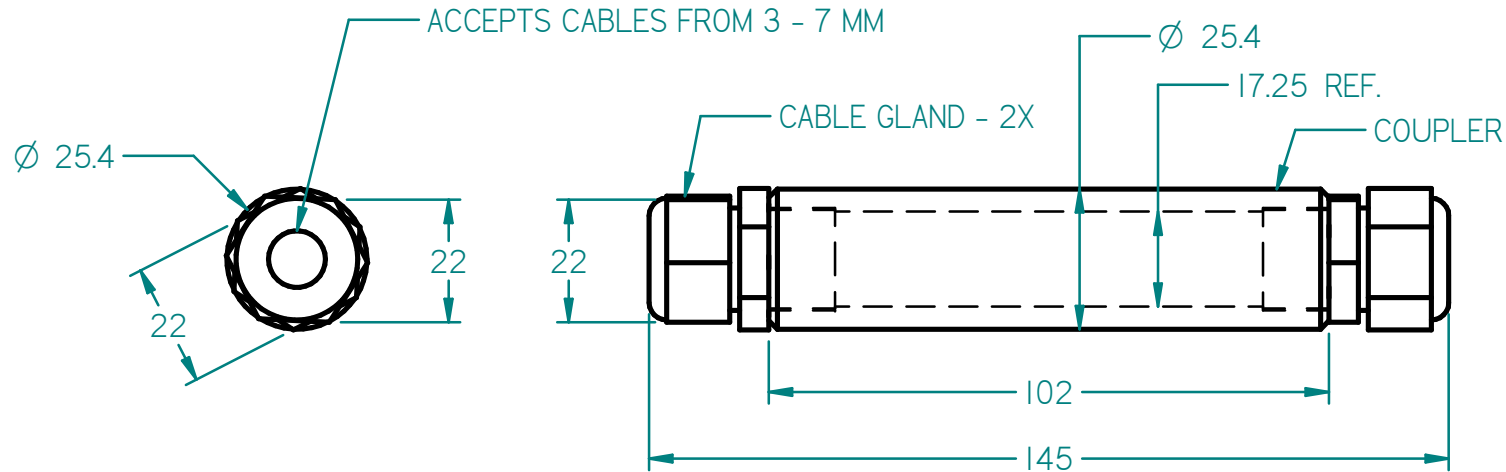
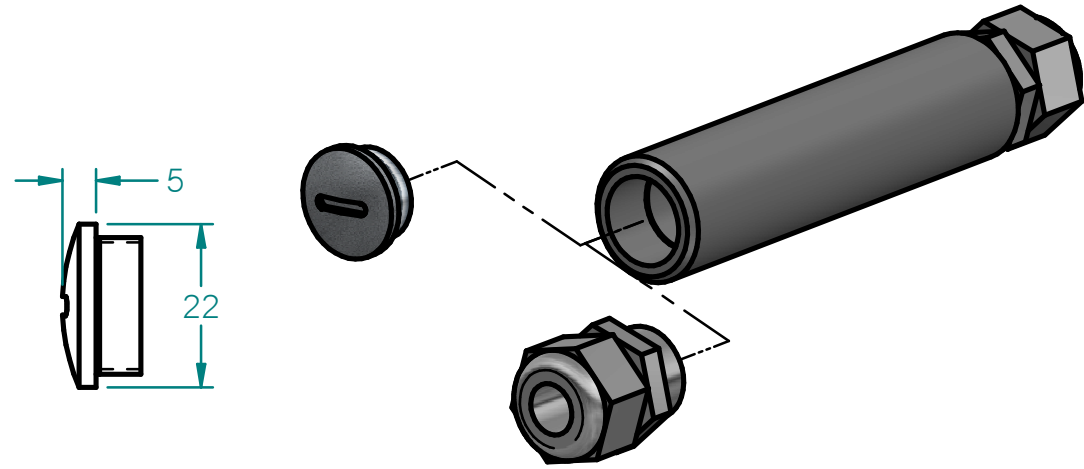


NOTE - TO INSTALL CABLE GLAND OVER EXISTING CONNECTOR, REMOVE SEAL FROM GLAND AND SLIT WITH KNIFE. INSERT CONNECTOR THROUGH COMPONENTS AND REINSTALL SEAL. BESURE IT IS SEATED PROPERLY. REPLACE CABLE GLAND WITH PLUG FOR SINGLE END PROTECTION.

KIT CONTENTS		
ITEM	QTY	DESCRIPTION
1	1	102 MM LONG SLEEVE
2	1	FC/APC ADAPTER - NOT SHOWN
3	2	CABLE GLAND - ACCEPTS 3 TO 7MM CABLE
4	1	PLUG - USE TO PROTECT ONE CABLE END
5	3	O-RING SEALS - NOT SHOWN



ISSUE 3 - 4/29/13 - ADDED COUPLER ID FOR REFERENCE  
 ISSUE 2 - 6/12/12 - ADDED PLUG TO KIT TO GIVE USER  
 OPTION TO USE EITHER SINGLE OR DOUBLE ENDED.

<b>MICRON OPTICS - PROPRIETARY</b> <small>THIS DOCUMENT CONTAINS PROPRIETARY INFORMATION AND MAY NOT BE REPRODUCED IN WHOLE OR PART WITHOUT THE EXPRESSED WRITTEN PERMISSION OF MICRON OPTICS, INC. FURTHER NO USE OF THE INFORMATION CONTAINED HEREIN MAY BE MADE WITHOUT FIRST SECURING THE PRIOR WRITTEN APPROVAL OF MICRON OPTICS INC.</small>		<b>CONNECTOR PROTECTION FITTING KIT</b> <b>CUSTOMER DRAWING</b>	
<small>THIS METRIC DRAWING HAS BEEN PREPARED IN ACCORDANCE WITH ANSI Y14.5M - 1982. DIMENSIONS ARE IN MILLIMETERS. INCHES ARE IN [ ] AND ARE FOR REFERENCE.</small>		<small>DESIGNED BY</small> DQS	<small>DRAWN BY</small> [ ]
<small>GENERAL TOLERANCES:</small> 4 PLACE DECIMAL +/- .0005 3 PLACE DECIMAL +/- .003 2 PLACE DECIMAL +/- .01 ANGULAR DIM. +/- 1 DEG <small>UNLESS OTHERWISE SPECIFIED,                  BREAK ALL SHARP EDGES</small>		<small>FINAL APPROVAL</small> [ ]	<small>SIZE</small> A
		<small>SHEET NO.</small> [ ]	
		<small>DRAWING NO.</small> 100001	